



SUBMITTAL DATA SHEET

Job Name:		Contractor:	
Location:		Distributor:	
Engineer:		Date:	
Submitted to:		Model No:	
Schedule ID:		Notes:	

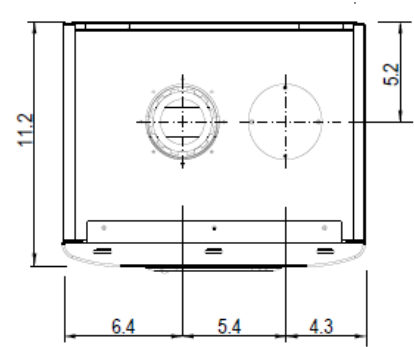
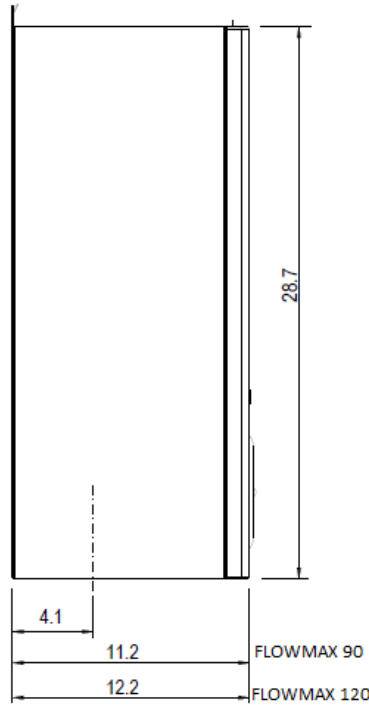
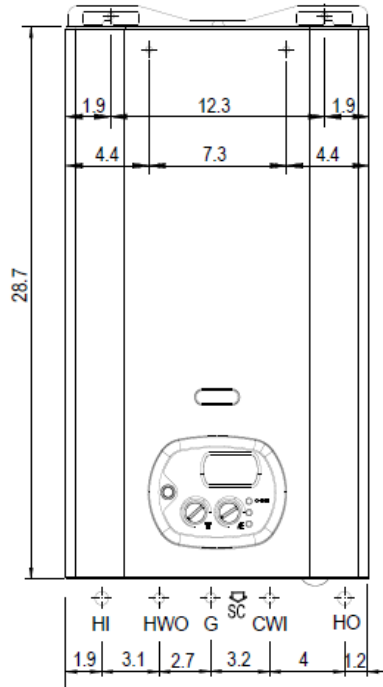
Flowmax Specifications	Flowmax-90	Flowmax-120	Flowmax-170
Minimum Heat Input BTU/HR	30,709	34,121	40,946
Maximum Heat Input BTU/HR	85,304	116,013	174,019
Efficiency (%)	98.4	98.4	98.4
Fuel Type	Nat/LP	Nat/LP	Nat/LP
Space Heating Temp. settings	86-167°F	86-167°F	86-167°F
Expansion Tank Capacity (G)	1.58	1.58	1.58
Max/Min Working Pressure HTG	30/4.3 psi	30/4.3 psi	30/4.3 psi
DHW Temperature Settings	95-160°F	95-160°F	95-160°F
Max/Min Working Pressure DHW	86/7.2 psi	86/7.2 psi	86/7.2 psi
DHW Flow Rate 45° ΔT GPM/LPM	3.7/14.0	5.3/20.0	7.9/30.0
DHW Flow Rate 72° ΔT GPM/LPM	2.3/8.7	3.2/12.1	4.95/18.8
Min DHW Flow rate GPM/LPM	.65/2.5	.65/2.5	.65/2.5
Maximum Vent Length (ft)	100' (2"/3")	100' (3"/4")	100' (3")
DHW Connection Size	½"	½"	¾"
DCW Connection Size	½"	½"	½"
HTG Connection Size	¾"	¾"	¾"
GAS Connection Size	½"	½"	¾"
Pump Speeds	3	3	3
Power Supply	120/1/60	120/1/60	120/1/60
Power Consumption	225w	225w	225w
Electrical Connection	cord	cord	cord
Weight (lbs)	88	97	123
Physical Dimensions (W/D/H)	16.15"x11.2"x28.7"	16.15"x12.6"x28.7"	19.3"x18.5"x27.6"



FEATURES

Direct Vent / Condensing / On-Demand Domestic water production / Separated Domestic and Space heating loops / Modulating Burner Capacity / Simplified Controls / Accurate temperature control / Easily Installed / Easily Serviced / Compact Size / Extensive Warranty

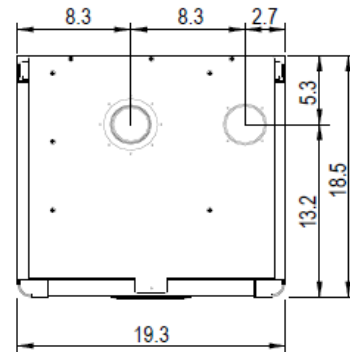
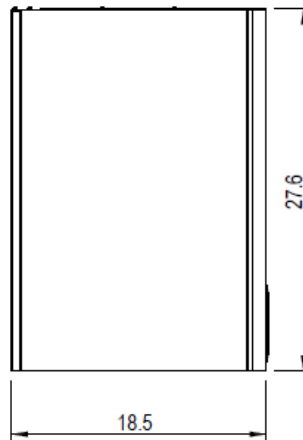
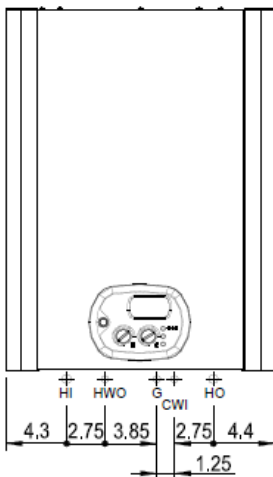
FLOWMAX 90 FLOWMAX 120



LEGEND

Symbol	Description	Size
HI	HEATING INLET	Ø 3/4"
HO	HEATING OUTLET	Ø 3/4"
G	GAS	Ø 1/2"
CWI	COLD WATER INLET	Ø 1/2"
HWO	HOT WATER OUTLET	Ø 1/2"
SC	CONDENSATE DRAIN	Ø 0.98 in

FLOWMAX 170



LEGEND

Symbol	Description	Size
HI	HEATING INTAKE	Ø 3/4"
HO	HEATING OUTLET	Ø 3/4"
G	GAS	Ø 3/4"
CWI	COLD WATER INLET	Ø 1/2"
HWO	HOT WATER OUTLET	Ø 3/4"
SC	CONDENSATE DRAIN	Ø 0.98 in